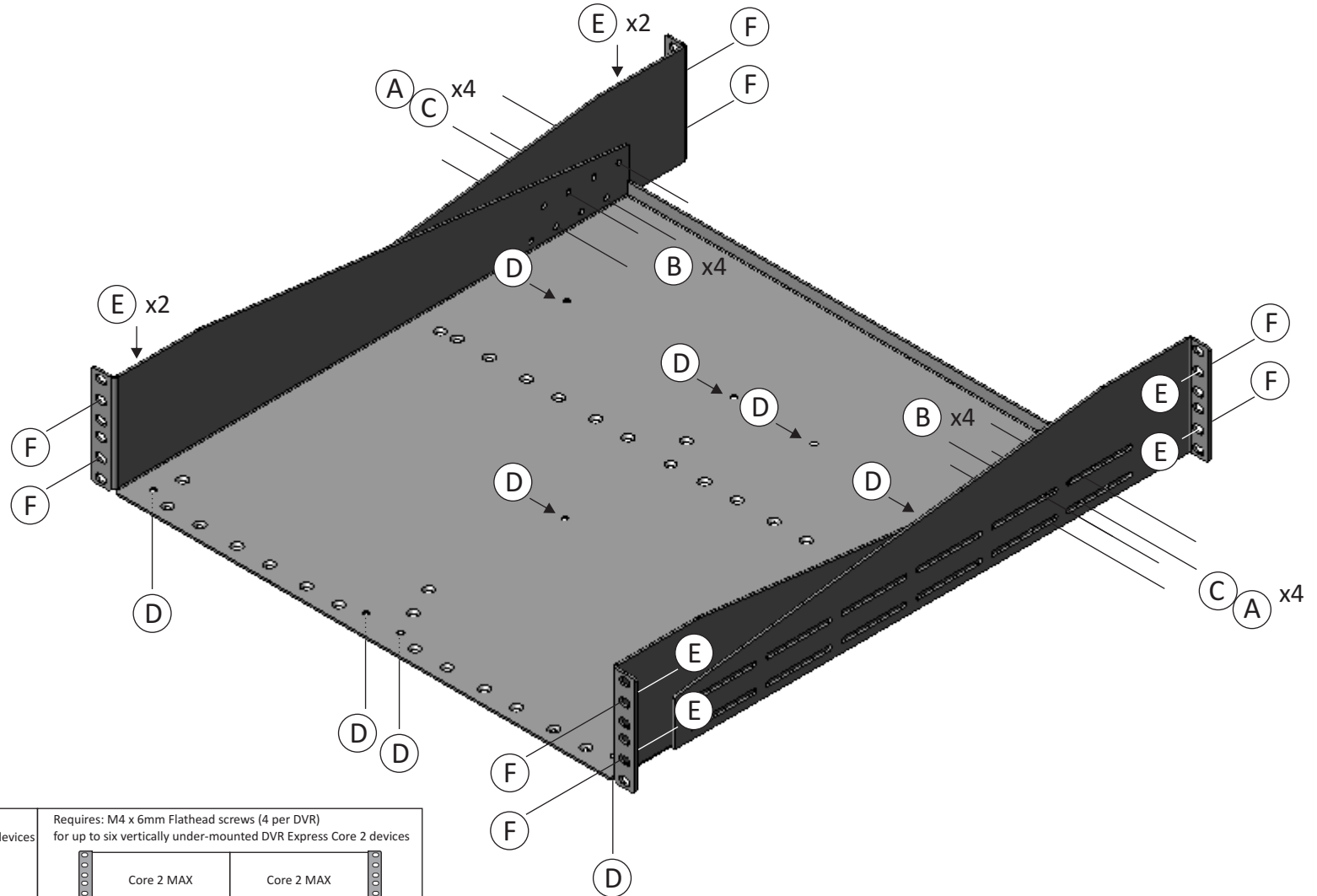


The 19" Rack Shelf (P/N: C2MAXSHELF) includes hardware for mounting a single DVR Express Core 2 MAX Server or up to two DVR Express Core 2 MAX's. The shelf can be mounted in a rack with an external depth of 18"-33.5". Each DVR Express Core 2 MAX device comes installed with rubber feet. Unscrew the feet and those locations become the mounting points to the shelf.

Kit Contents

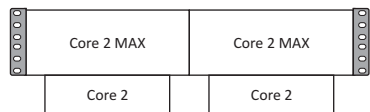
(A)		M4 x 12mm QTY: 8
(B)		M4 x 0.7 Hex Locknut QTY: 8
(C)		M4 Washer QTY: 8
(D)		M4 x 6mm QTY: 8*
(E)		M6 Hex Locknut QTY: 8
(F)		M6 x 12mm QTY: 8

*4 for each MAX, 5 for MAX Server



Additional Configurations

Requires: COREMOUNT-02 for up to two horizontally under-mounted DVR Express Core 2 devices



Requires: M4 x 6mm Flathead screws (4 per DVR) for up to six vertically under-mounted DVR Express Core 2 devices

