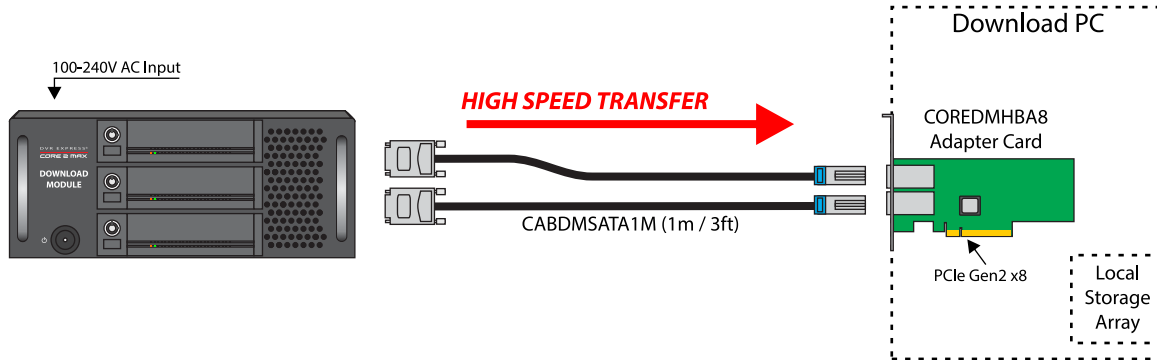


The Core 2 MAX Download Module allows high-speed access to recordings made with a DVR Express Core 2 MAX video recorder. In situations where the recorder is installed in a vehicle or aircraft, the Download Module allows the recordings to be reviewed in their native format at a separate location such as a ground station or processing lab.

After recording video with a Core 2 MAX, transfer the rugged drive cartridges to the Core 2 MAX Download Module. Then, use either IO Industries CoreView or Streams 7 software to review, archive or export the recordings into common file formats.

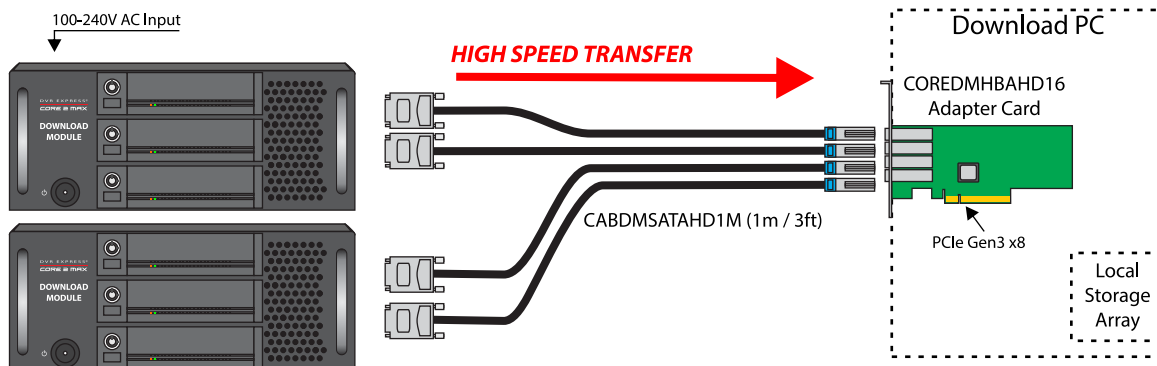
Download Module Kit for one Core 2 MAX recorder:



Part Number: C2MAXDMKIT6

Includes: 1x Core 2 MAX Download Module (w. 3x empty Rugged Drive Cartridges), 1x AC power cord, 2x CABDMSATA1M cables, and 1x COREDMHBA8 adapter card (PCIe Gen2 x8)

Download Module Kit for two Core 2 MAX recorders:



Part Number: C2MAXDMKIT12.

Includes: 2x Core 2 MAX Download Module (w. 3x empty Rugged Drive Cartridges), 2x AC power cord, 4x CABDMSATAHD1M cables, and 1x COREDMHBAHD16 adapter card (PCIe Gen3 x8)

SPECIFICATIONS:

Core 2 MAX Download Module

Dimensions: 409 x 217 x 86mm (16.1 x 8.5 x 3.4")
Weight: Approx. 5 kg (11 lbs)
Power: 100-240V AC, 50/60Hz, Approx. 30W

COREDMHBA8

Form Factor: Low Profile
Interface: 8-lane PCI Express 2.0

COREDMHBAHD16

Form Factor: Low Profile
Interface: 8-lane PCI Express 3.0