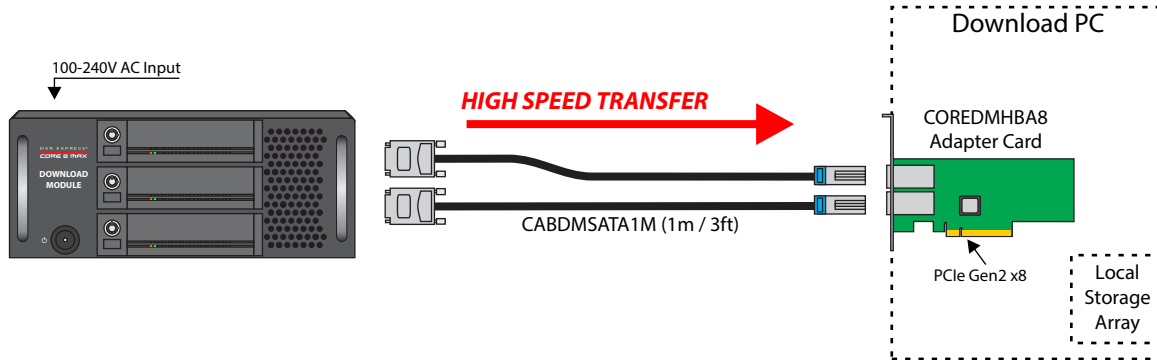


The Core 2 MAX Download Module allows high-speed access to recordings made with a DVR Express Core 2 MAX video recorder. In situations where the recorder is installed in a vehicle or aircraft, the Download Module allows the recordings to be reviewed in their native format at a separate location such as a ground station or processing lab.

After recording video with a Core 2 MAX, transfer the rugged drive cartridges to the Core 2 MAX Download Module. Then, use either IO Industries CoreView or Streams 7 software to review, archive or export the recordings into common file formats.

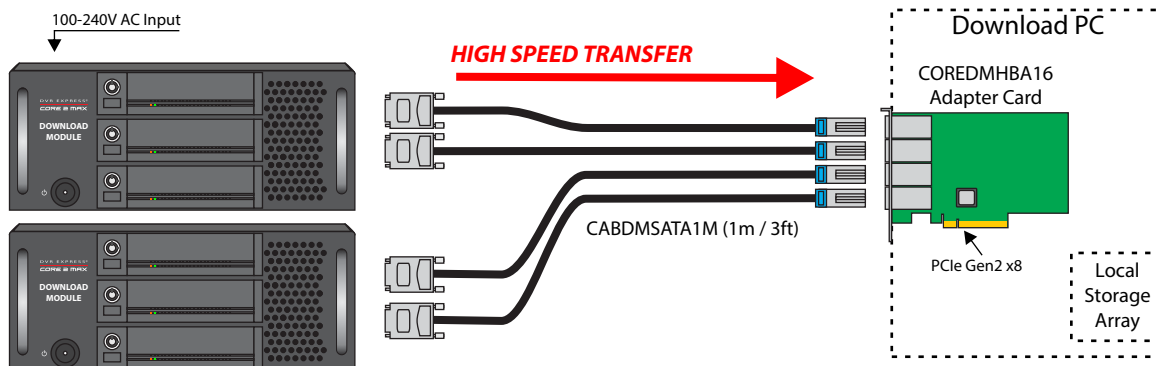
## Download Module Kit for one Core 2 MAX recorder:



Part Number: C2MAXDMKIT6

Includes: 1x Core 2 MAX Download Module (w. 3x empty Rugged Drive Cartridges), 1x AC power cord, 2x CABDMSATA1M cables, and 1x COREDMHBA8 adapter card (PCIe Gen2 x8)

## Download Module Kit for two Core 2 MAX recorders:



Part Number: C2MAXDMKIT12

Includes: 2x Core 2 MAX Download Module (w. 3x empty Rugged Drive Cartridges), 2x AC power cord, 4x CABDMSATA1M cables, and 1x COREDMHBA16 adapter card (PCIe Gen2 x8)

### SPECIFICATIONS:

#### Core 2 MAX Download Module

Dimensions: 409 x 217 x 86mm (16.1 x 8.5 x 3.4")  
Weight: Approx. 5 kg (11 lbs)  
Power: 100-240V AC, 50/60Hz, Approx. 30W

#### COREDMHBA8

Form Factor: Half Height  
Interface: 8-lane PCI Express 2.0  
Supported OS:  
Windows XP/Vista/7/8.1/10 (32/64-bit)  
Linux: Ubuntu 14.04 LTS (32/64-bit)

#### COREDMHBA16

Form Factor: Full Height  
Interface: 8-lane PCI Express 2.0  
Supported OS:  
Windows XP/Vista/7/8.1/10 (32/64-bit)  
Linux: Ubuntu 14.04 LTS (32/64-bit)